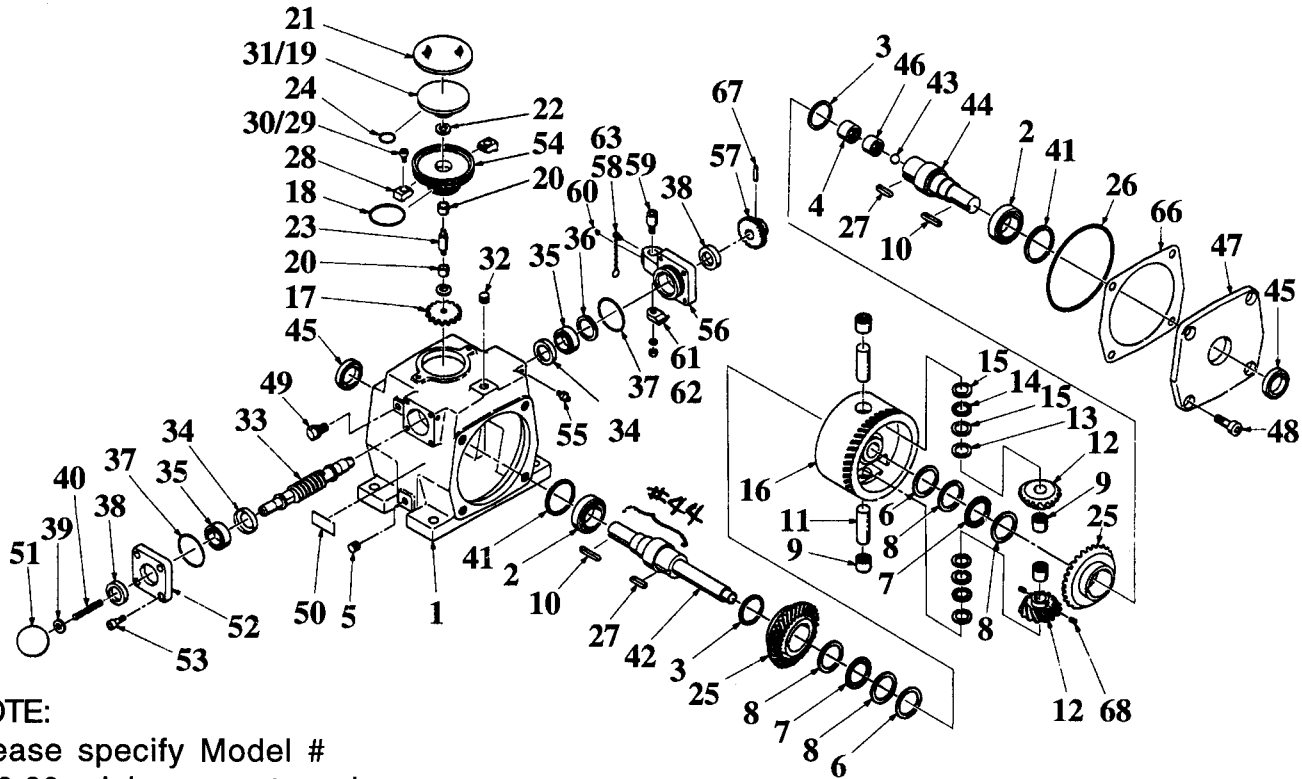


Candy DIFF™ Differential

Exploded View & Consolidated Parts List



NOTE:
Please specify Model #
\$50.00 minimum parts orders

Item	Qty	Description	Item	Qty	Description	Item	Qty	Description
1	1	Housing	23	1	Indicator Shaft	45	2	Oil Seal
2	2	Bearing	24	1	O Ring	46	2	Bearing
3	2	Shim Pack	25	Set	Spiral Bevel Gear(See Part 12)	47	1	Cover
4	2	Needle Bearing	26	1	O Ring	48	4	Cap Screw
5	1	Drain Plug	27	2	Key	49	1	Oil Level Indicator
6	2	Shim Pack	28	2	Clamp	50	1	Name Plate
7	2	Thrust Bearing	29	2	Cap Screw	51	1	Control Knob
8	4	Thrust Washer	30	2	Lockwasher	52	1	Bearing Cap
9	4	Needle Bearing	31	1	Indicator Decal	53	8	Cap Screw
10	2	Key	32	1	Relief Valve Fitting	54	1	Indicator Housing
11	2	Idler Shaft	33	1	Worm Shaft	55	2	Grease Fitting
12	Set	Spiral Bevel Gear	34	2	Grease Seal	56	1	Bearing Cap with Lock
13	2	Shim Pack	35	2	Bearing	57	1	Lock Gear
14	2	Thrust Bearing	36	2	Shim Pack	58	1	Key Chain Assembly
15	4	Thrust Washer	37	2	O Ring	59	1	Cylinder Lock w/Keys
16	1	Worm Gear Carrier	38	2	Oil Seal	60	1	Set Screw
17	1	Helical Gear	39	1	Lock Washer	61	1	Locking Pawl
18	1	O Ring	40	1	Control Knob Adapter	62	2	Set Screw
19	1	Rotating Disk	41	2	Shim Pack	63	1	Cap Screw
20	1	Bearing, Plain	42	1	Shaft, Support Rod	66	1	Shim Pack
21	1	Indicator Window	43	2	Ball	67	1	Roll Pin
22	2	Thrust Washer	44	2	Shaft, Input/Output	68	4	Set Screw